

# Load Rating Chart

***Model 26101C***

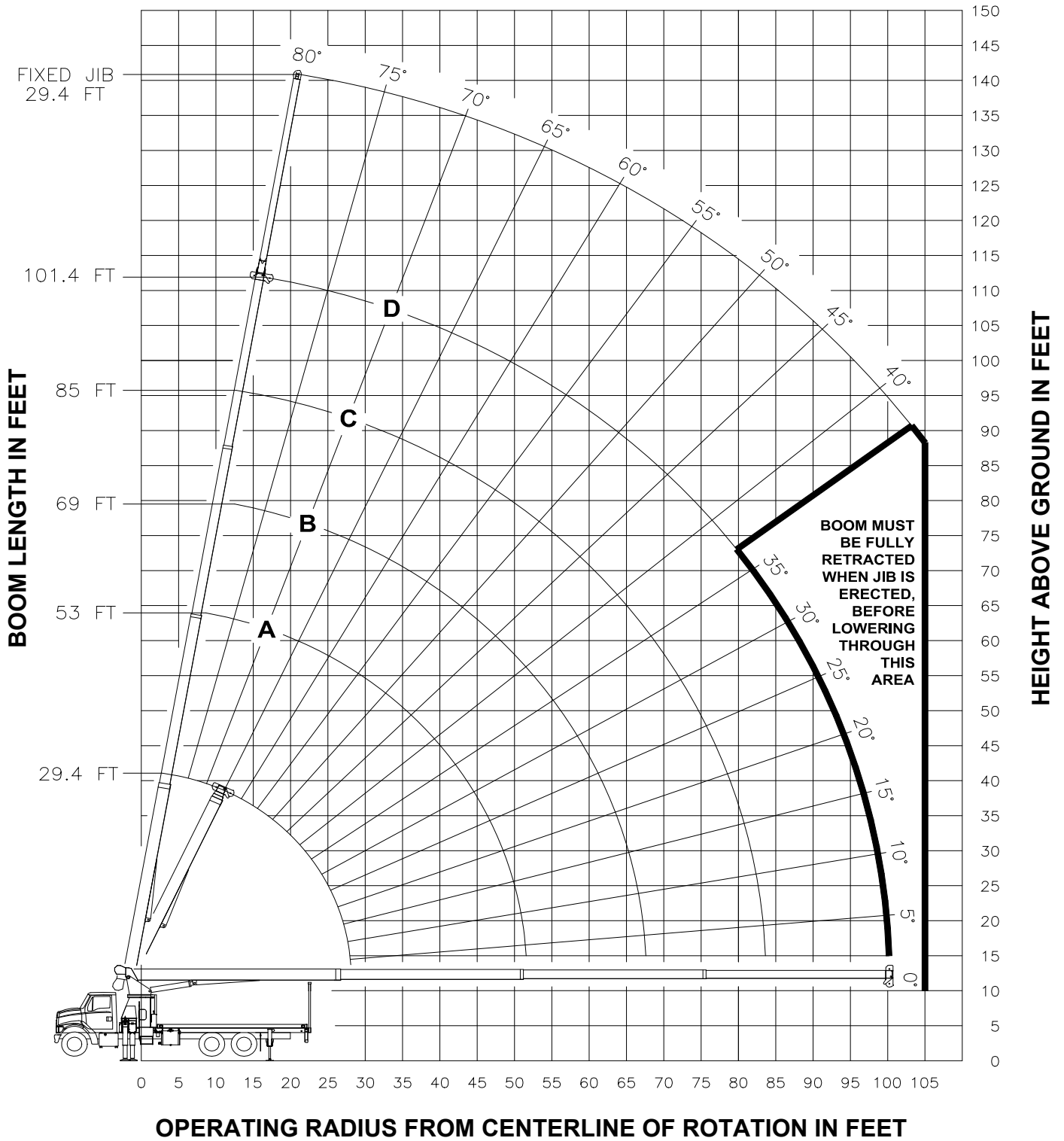


---

© Manitex

**NOTE:** Additional copies of this Load Rating Chart can be purchased from your Manitex Distributor. When ordering, use the part number shown in the bottom left corner of this page.

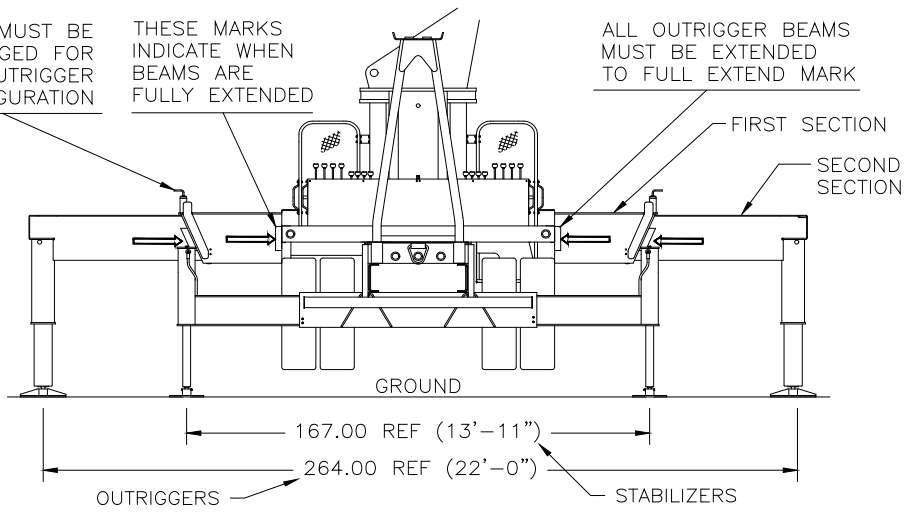
# RANGE DIAGRAM - FULL SPREAD CONFIGURATION -



PINS MUST BE  
DISENGAGED FOR  
THIS OUTRIGGER  
CONFIGURATION

THESE MARKS  
INDICATE WHEN  
BEAMS ARE  
FULLY EXTENDED

ALL OUTRIGGER BEAMS  
MUST BE EXTENDED  
TO FULL EXTEND MARK

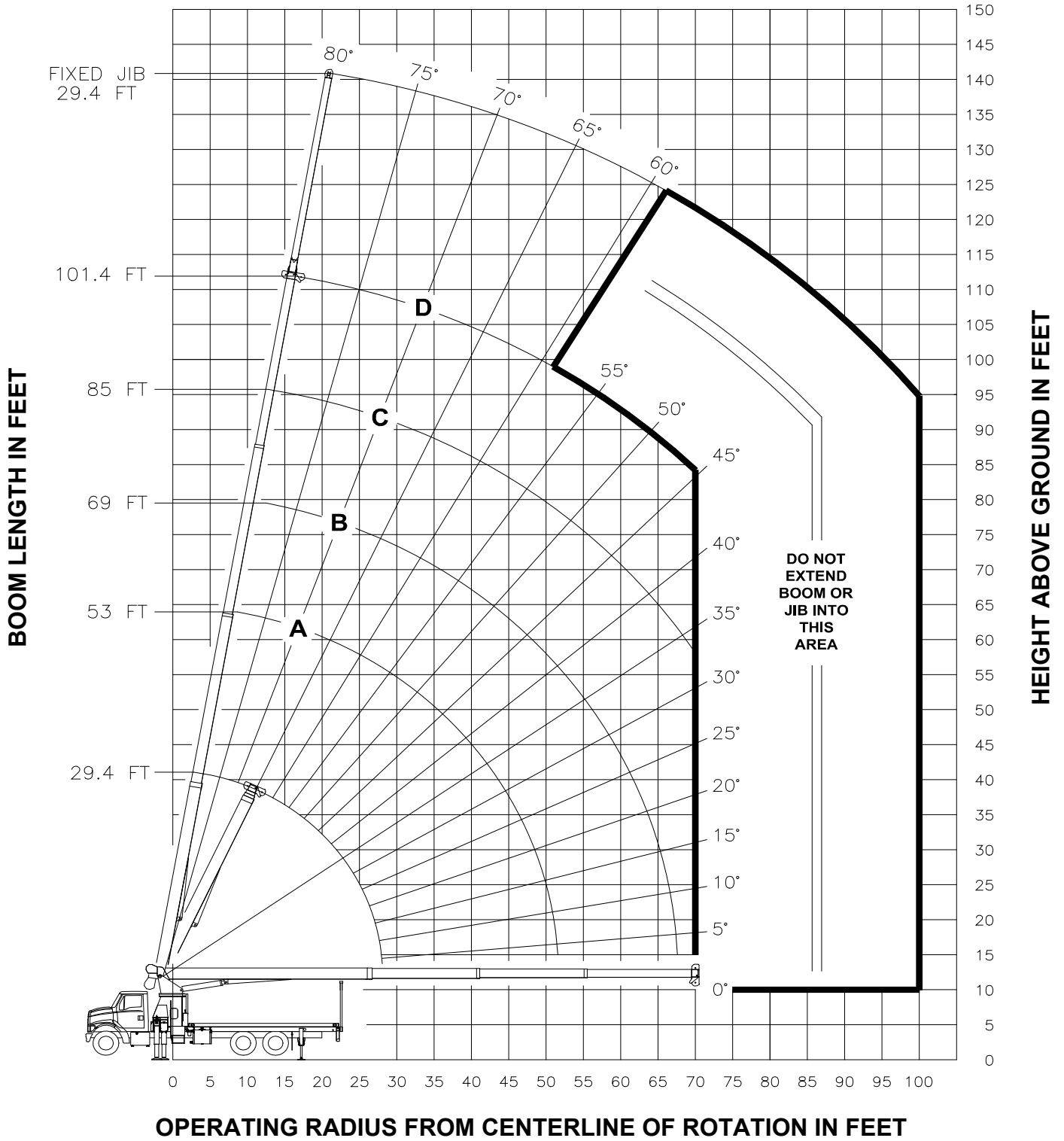


**USE THIS CHART ONLY  
WHEN OUTRIGGERS  
AND STABILIZERS ARE  
FULLY EXTENDED**

**- FULL SPREAD CONFIGURATION -**

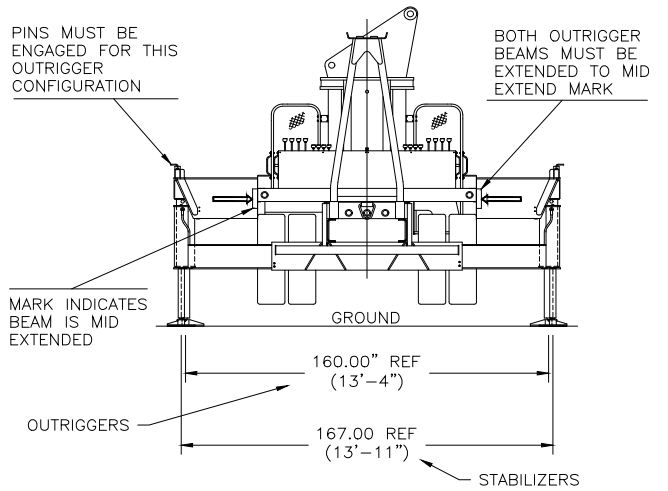
MAIN BOOM LOAD RATINGS IN LBS										JIB LOAD RATINGS IN LBS			
LMI CODE #1										LMI CODE #2			
OPERATING RADIUS FT	LOADED BOOM ANGLE	BOOM LENGTH AND MARKER									OPERATING RADIUS FT	LOADED BOOM ANGLE	29 FT JIB FOR ALL BOOM LENGTHS
			A		B		C		D				
			∠	29.44 FT	∠	53 FT	∠	69 FT	∠	85 FT			
5	80	52000										∠	RATED LOAD IN LBS
8	74	37890										8	
10	70	32220										10	
12	66	28190	78	14000								12	
14	61	25500	76	14000	80	14000						14	
17	54	21200	72	14000	78	12880						17	
20	46	18020	69	13700	75	11430	79	8920				20	
25	29	12000	63	11070	71	9460	75	8000	79	6000		25	
30			56	9170	66	8210	72	7070	76	5500	30	80	3000
35			49	7980	61	6970	68	6130	73	4980	35	78	2840
40			41	6800	56	5980	65	5320	70	4490	40	76	2620
45			31	5770	51	5170	61	4640	67	4000	45	73	2420
50			17	4900	45	4510	57	4070	64	3580	50	71	2230
55					38	3960	52	3570	61	3200	55	69	2020
60					30	3480	47	3150	57	2850	60	67	1840
65					19	3060	42	2780	54	2520	65	64	1670
70							36	2460	50	2230	70	62	1520
75							29	2170	45	1970	75	59	1380
80							20	1920	41	1730	80	56	1230
85									36	1520	85	53	1080
90									30	1330	90	50	950
95									22	1160	95	47	830
100									3	1000	100	44	720
105											105	40	620
110											110	37	520
	0	10500	0	4670	0	2810	0	1720	0	990			
		340 LBS		190 LBS		150 LBS		120 LBS		100 LBS			DEDUCTIONS FOR STOWED JIB

# RANGE DIAGRAM - INTERMEDIATE SPREAD CONFIGURATION - (MID EXTEND)

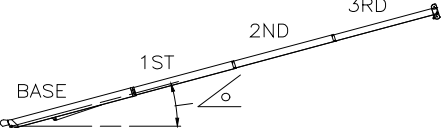


**NOTE:** LIFTING PERSONNEL WITH CRANE IN THIS OUTRIGGER CONFIGURATION IS STRICTLY PROHIBITED. USE ONLY FULLY EXTENDED OUTRIGGER CONFIGURATION WHEN LIFTING PERSONNEL.

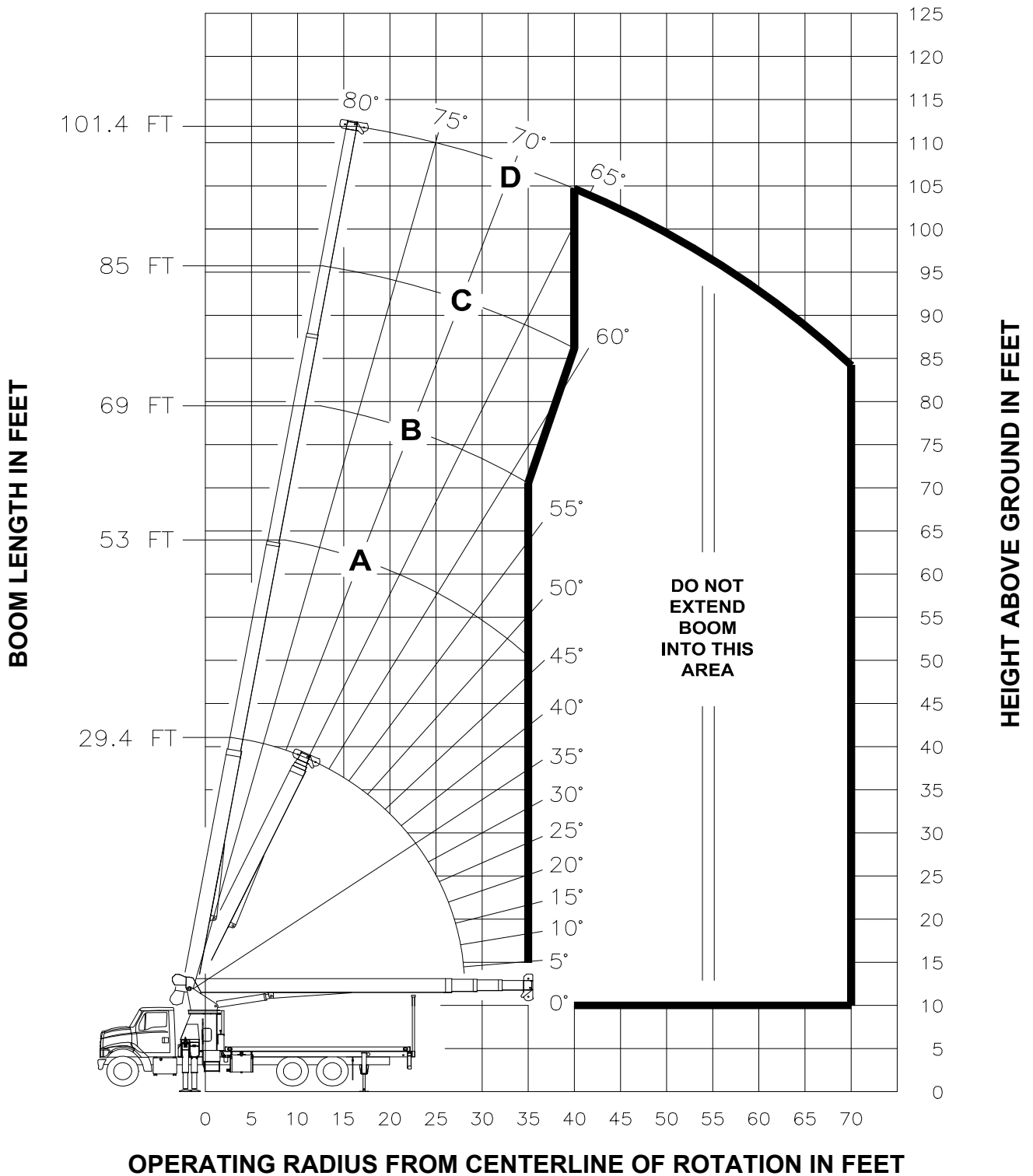
**USE THIS CHART ONLY WHEN  
FRONT OUTRIGGERS ARE IN THE  
INTERMEDIATE POSITION  
AND STABILIZERS  
ARE FULLY EXTENDED**



**- INTERMEDIATE SPREAD CONFIGURATION -  
(MID EXTEND)**

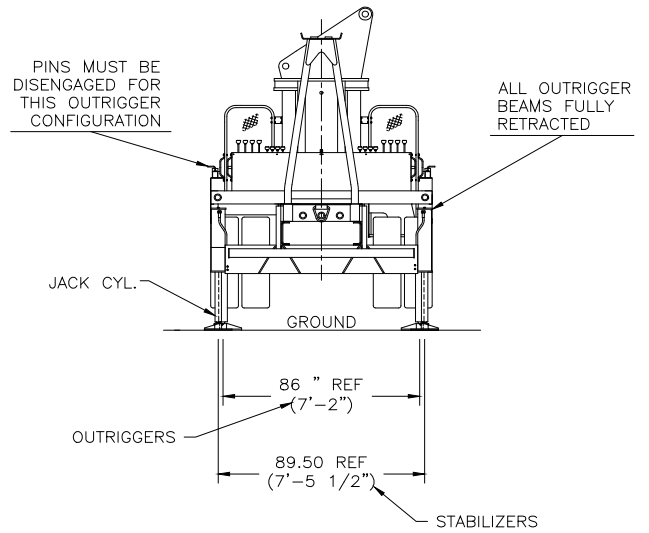
MAIN BOOM LOAD RATINGS IN LBS										JIB LOAD RATINGS IN LBS											
LMI CODE #9										LMI CODE #10											
OPERATING RADIUS FT	LOADED BOOM ANGLE	BOOM LENGTH AND MARKER								OPERATING RADIUS FT	LOADED BOOM ANGLE	29 FT JIB FOR ALL BOOM LENGTHS									
			<b>A</b>		<b>B</b>		<b>C</b>		<b>D</b>				RATED LOAD IN LBS								
			∠	29.44 FT	∠	53 FT	∠	69 FT	∠					85 FT	∠	101.44 FT					
5	80	52000																			
8	74	37890												8							
10	70	32220												10							
12	66	28190	78	14000										12							
14	61	23240	76	14000	80	14000								14							
17	54	15640	72	14000	78	12880								17							
20	46	11450	69	11960	75	11430	79	8920						20							
25	29	7500	63	7990	71	8120	75	8000	79	6000				25							
30			56	5720	66	5840	72	5920	76	5500				30	80					3000	
35			49	4250	61	4370	68	4440	73	4490				35	78					2840	
40			41	3220	56	3340	65	3410	70	3450				40	76					2620	
45			31	2450	51	2580	61	2640	67	2690				45	73					2420	
50			17	1850	45	1990	57	2060	64	2100				50	71					2190	
55					38	1520	52	1590	61	1630				55	69					1720	
60					30	1140	47	1210	57	1250				60	67					1340	
65					19	810	42	890	54	940				65	64					1020	
70							36	630	50	670				70	62					750	
75														75	59					530	
0		6140	0	1700	0	670	0	0	0	0											
		340 LBS		190 LBS		150 LBS		120 LBS		100 LBS											DEDUCTIONS FOR STOWED JIB

# RANGE DIAGRAM - FULLY RETRACTED SPREAD CONFIGURATION -



**NOTE:** LIFTING PERSONNEL WITH CRANE IN THIS OUTRIGGER CONFIGURATION IS STRICTLY PROHIBITED. USE ONLY FULLY EXTENDED OUTRIGGER CONFIGURATION WHEN LIFTING PERSONNEL.

**USE THIS CHART ONLY  
WHEN OUTRIGGERS  
AND STABILIZERS ARE  
FULLY RETRACTED**



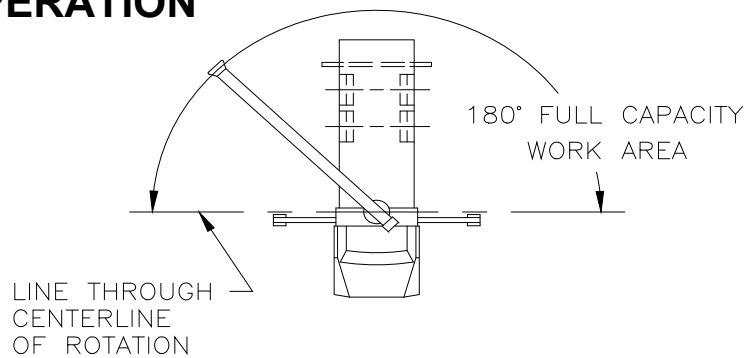
**- FULLY RETRACTED SPREAD CONFIGURATION -**

MAIN BOOM LOAD RATINGS IN LBS											
LMI CODE #13											
OPERATING RADIUS FT	LOADED BOOM ANGLE	BOOM LENGTH AND MARKER									
			<b>A</b>		<b>B</b>		<b>C</b>		<b>D</b>		
			/°	29.44 FT	/°	53 FT	/°	69 FT	/°	85 FT	/°
5	80	52000									
8	74	21220									
10	70	13710									
12	66	9760	78	10220							
14	61	7330	76	7770	80	7890					
17	54	5040	72	5460	78	5570					
20	46	3580	69	3990	75	4100	79	4160			
25	29	2040	63	2460	71	2560	75	2620	79	2660	
30			56	1500	66	1600	72	1660	76	1700	
35			49	850	61	950	68	1010	73	1050	
40							65	540	70	580	
45											
	0	1460	0	0	0	0	0	0	0	0	0
		340 LBS		190 LBS		150 LBS		120 LBS		100 LBS	DEDUCTIONS FOR STOWED JIB

NO JIBS ARE TO BE ERCTED IN THIS OUTRIGGER CONFIGURATION

ALLOWABLE LINE PULL							<b>WARNING</b>
1 PART LINE	2 PART LINE	3 PART LINE	4 PART LINE	5 PART LINE	6 PART LINE	7 PART LINE	
							<p>ANTI-TWO-BLOCK SYSTEM MUST BE IN GOOD OPERATING CONDITION BEFORE OPERATING CRANE.</p> <p>REFER TO THE OWNER'S MANUAL.</p> <p>KEEP AT LEAST 3 WRAPS OF LOAD LINE ON THE DRUM AT ALL TIMES.</p>
8500 LBS	17000 LBS	25500 LBS	34000 LBS	42500 LBS	51000 LBS	52000 LBS	9/16" 6X25 IWRC (3.5:1 SF) - 29750 LBS MIN BREAKING STRENGTH
7400 LBS	14800 LBS	22200 LBS	29600 LBS	37000 LBS	44400 LBS	51800 LBS	9/16" ROT RESISTANT (5.0:1 SF) - 37000 LBS MIN BREAKING STRENGTH

### AREA OF OPERATION



#### DEDUCTIONS FROM RATED LOADS FOR LOAD HANDLING DEVICES SUPPLIED BY MANITEX

- AUXILIARY BLOCK ----- 50 LBS
- AUXILIARY SHEAVE ----- 50 LBS
- OVERHAUL BALL ----- SEE OVERHAUL BALL MANUFACTURER NAMEPLATE
- LOAD BLOCK ----- SEE BLOCK MANUFACTURER NAMEPLATE
- HOSE REEL ----- 140 LBS
- SWING AROUND JIB ----- SEE LOAD CHART



## LMI OPERATING CODES

<u>SETTING</u>	<u>CRANE CONFIGURATION</u>	<u>OUTRIGGER CONFIGURATION</u>
#1 -----	MAIN BOOM -----	FULLY EXTENDED
#2 -----	FIXED JIB -----	FULLY EXTENDED
#5 -----	PERSONNEL LIFTING PLATFORM ON MAIN BOOM -----	FULLY EXTENDED
#6 -----	PERSONNEL LIFTING PLATFORM ON FIXED JIB -----	FULLY EXTENDED
#9 -----	MAIN BOOM -----	INTERMEDIATE
#10 -----	FIXED JIB -----	INTERMEDIATE
#13 -----	MAIN BOOM -----	FULLY RETRACTED

## **WARNING**

1. THE OPERATOR MUST READ AND UNDERSTAND THE OWNER'S MANUAL BEFORE OPERATING THIS CRANE.
2. POSITIONING OR OPERATION OF CRANE BEYOND AREAS SHOWN ON THIS CHART IS NOT INTENDED OR APPROVED EXCEPT WHERE SPECIFIED IN OWNER'S MANUAL.
3. LOADED BOOM ANGLES AT SPECIFIED BOOM LENGTHS GIVE ONLY AN APPROXIMATION OF THE OPERATING RADIUS. THE BOOM ANGLE BEFORE LOADING SHOULD BE GREATER TO ACCOUNT FOR DEFLECTIONS. DO NOT EXCEED THE OPERATING RADIUS FOR RATED LOADS.
4. THE OPERATING RADIUS SHOWN IN THE JIB RATING CHART IS FOR FULLY EXTENDED BOOM ONLY. WHEN BOOM IS NOT FULLY EXTENDED, USE ONLY LOADED BOOM ANGLE TO DETERMINE LOAD RATING OF JIB.
5. FOR BOOM ANGLES NOT SHOWN ON JIB LOAD RATING CHART, USE RATING OF NEXT LOWER BOOM ANGLE.
6. FOR BOOM LENGTHS NOT SHOWN, USE RATING OF NEXT LONGER BOOM LENGTH. FOR RADII NOT SHOWN, USE RATING OF NEXT LONGER RADIUS.
7. CRANE LOAD RATINGS ON OUTRIGGERS ARE BASED ON FREELY SUSPENDED LOADS WITH THE MACHINE LEVELED AND STANDING ON A FIRM UNIFORM SUPPORTING SURFACE. NO ATTEMPT SHALL BE MADE TO MOVE A LOAD HORIZONTALLY ON THE GROUND IN ANY DIRECTION.

## **WARNING (CONTINUED)**

8. PRACTICAL WORKING LOADS DEPEND ON SUPPORTING SURFACE, WIND, AND OTHER FACTORS AFFECTING STABILITY SUCH AS HAZARDOUS SURROUNDINGS, EXPERIENCE OF PERSONNEL, AND PROPER HANDLING, ALL OF WHICH MUST BE TAKEN INTO ACCOUNT BY THE OPERATOR.
9. THE MAXIMUM LOAD WHICH MAY BE TELESCOPED IS LIMITED BY HYDRAULIC PRESSURE, BOOM ANGLE, AND BOOM LUBRICATION. IT IS SAFE TO ATTEMPT TO TELESCOPE ANY LOAD WITHIN THE LIMITS OF THE LOAD RATING CHART. BOOM MUST BE FULLY RETRACTED AGAINST BOOM STOPS AT ALL TIMES WHEN LIFTING MINIMUM BOOM LENGTH CAPACITY LOADS.
10. LIFTING OFF THE MAIN BOOM POINT WHILE THE JIB IS ERECTED IS NOT INTENDED OR APPROVED.

## **INFORMATION**

1. DEDUCTIONS MUST BE MADE FROM RATED LOADS FOR STOWED JIB, OPTIONAL ATTACHMENTS, HOOKS, AND LOADBLOCKS (SEE DEDUCTION CHART). WEIGHTS OF SLINGS AND ALL OTHER LOAD HANDLING DEVICES SHALL BE CONSIDERED A PART OF THE LOAD.
2. LOAD RATINGS ABOVE THE HEAVY LINE ARE STRUCTURALLY LIMITED CAPACITIES. LOAD RATINGS BELOW THE HEAVY LINE ARE STABILITY LIMITED CAPACITIES AND DO NOT EXCEED 85% OF TIPPING.

## **DEFINITIONS**

1. OPERATING RADIUS IS THE HORIZONTAL DISTANCE FROM THE AXIS OF ROTATION TO THE CENTER OF THE VERTICAL HOIST LINE OR TACKLE WITH LOAD APPLIED.
2. LOADED BOOM ANGLE AS SHOWN IN THE COLUMN HEADED BY  $\angle$ , IS THE INCLUDED ANGLE BETWEEN THE HORIZONTAL AND LONGITUDINAL AXES OF THE BOOM BASE AFTER LIFTING RATED LOAD AT RATED RADIUS.